




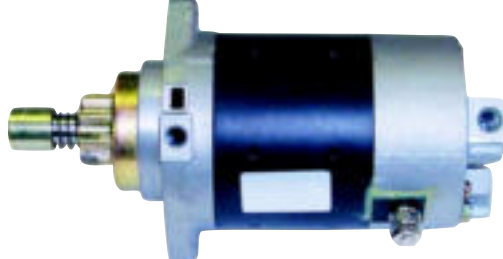
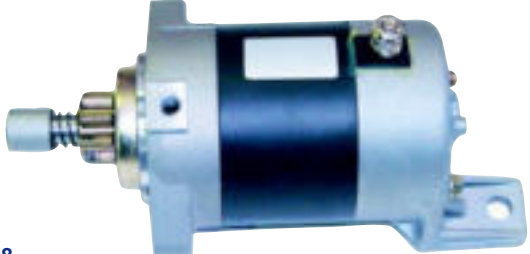

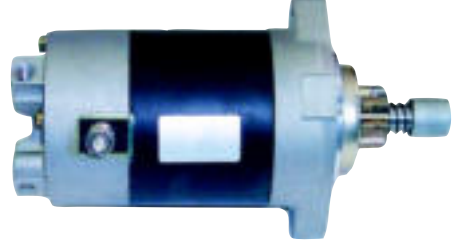







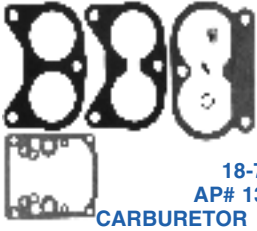



**SUZUKI**  
Ignition/Electrical



<p><b>18-5225</b> <b>AP# 13382</b> <b>SPARK PLUG WIRE KIT</b> Replaces: Mercury 84-99215A26, 84-813706A26 Kit includes 25 ft. Roll of 7 MM Hypalon Ignition Wire With a Metallic Core and a Large Assortment of Three Different End Fittings to Fit Outboard Motors.</p> 	<p><b>18-5226</b> <b>AP# 13383</b> <b>7 MM HYPALON</b> <b>IGNITION WIRE</b> <b>Metallic Core</b> 100' Spool</p> 	
<p><b>18-5224</b> <b>AP# 13381</b> <b>IGNITION WIRE TERMINAL</b> Replaces: Mercury 20121 OMC 510364</p> 	<p><b>PKG. OF 10</b></p> <p><b>18-5750</b> <b>AP# 13399</b> <b>UNIVERSAL SPARK PLUG BOOTS</b> Supplied complete w/Terminal Connector Replaces: OMC 581027, 580339</p> 	<p><b>18-5752</b> <b>8mm UNIVERSAL</b> <b>SPARK PLUG BOOTS</b></p> 
<p><b>18-6416</b> <b>STARTER</b> Replaces: Suzuki 31100-94610 Fits: 115, 140 H.P. (9 Tooth) (1984-UP)</p> 	<p><b>18-6428</b> <b>STARTER</b> Replaces: Suzuki 31100-95313 Fits: 50/60H.P. (1984-85), 75/85H.P. (1984-87)</p> 	
<p><b>18-6417</b> <b>STARTER</b> Replaces: Suzuki 31100-92E00 Fits: 150, 200, 225 H.P. (1985-UP)</p> 	<p><b>18-6429</b> <b>STARTER</b> Replaces: Suzuki 31100-94702 Fits: DT 55/65 (1985-88)</p> 	
<p><b>18-6414</b> <b>STARTER</b> Replaces: Suzuki 31100-95600 Fits: 75 hp</p> 	<p><b>18-6419</b> <b>STARTER</b> Replaces: Suzuki/Nissan 3110-89J01 Fits: Suzuki 40Hp, Nissan 30Hp (9 tooth)</p> 	

**OUTBOARD**

 <p><b>18-9802</b> <b>TIMING LIGHT</b> Self-powered accurate up to 10,000 RPM's</p>	 <p><b>18-6785</b> <b>TRIM/MOTOR</b> Replaces: 38100-87E10-0ED, 38100-87000-0IT, 38100-87E20-0ED For: V-4 &amp; V-6 1986-1990 V-6/3 wire hook-up 3 bolt flange</p>	 <p><b>18-6786</b> <b>TRIM/MOTOR</b> Replaces: 38100-87D10-0ED, 38100-87D10-35J, 38100-87D10-0IT For: V4 &amp; V6 1990-up 3 Bolt flange 2 wire connection</p>
--	---	--

 <p><b>18-7752</b> <b>AP# 13497</b> <b>CARBURETOR KIT</b> Replaces: 13910-87D00</p>	 <p><b>18-7753</b> <b>AP# 13498</b> <b>CARBURETOR KIT</b> Replaces: 13910-94400</p>	 <p><b>18-7754</b> <b>CARBURETOR KIT</b> Replaces: 13910-94701</p>	 <p><b>18-7755</b> <b>AP# 13500</b> <b>CARBURETOR KIT</b> Replaces: 13910-95D00</p>
--	--	--	--





HP/Model	Year	Sierra#	HP/Model	Year	Sierra#	HP/Model	Year	Sierra#
DT25C	1989-98	18-7755	DT65	1985-97	18-7753	DT100	1989-98	18-7752
DT30C	1988-97	18-7755	DT75	1985-97	18-7754	DT115	1986-98	18-7754
DT40C	1984-98	18-7753	DT85	1985-98	18-7753	DT140	1986-98	18-7753
DT55	1985-97	18-7754	DT90	1989-97	18-7752	V-6	ALL	18-7752





**Fuel Line Assemblies**

2000 Silverado		1000 Silverado		Millennium		
Sierra#	AP #	Sierra#	AP #	I.D.	O.E. #	End Connectors
<b>Suzuki 8' Length</b>						
18-8018	—	—	2577	5/16	65700-95513	(2) 18-8079 or 884
18-8019	13535	—	—	5/16	—	(2) 18-8062 or 822
<b>Universal 8' Length</b>						
18-8013	13534	18-8065	—	5/16	—	No end fittings
18-8015	2571	18-8080	2571	3/8	174513 ①	No end fittings
<b>12' Length</b>						
18-8032	3805	18-8033	3805	5/16	—	No end fittings



① Johnson-Evinrude

 <p><b>18-8106</b> <b>AP# 2211</b> <b>FUEL CONNECTOR</b> For: Chrysler, Eska, Force &amp; Suzuki below 60 HP Corrosion resistant chrome plated brass</p>	 <p><b>18-8079</b> <b>AP# 2212</b> <b>FUEL CONNECTOR</b> Replaces: 65750-95500 For: Suzuki 60 HP &amp; UP Also for Nissan &amp; Tohatsu Corrosion resistant chrome plated brass</p>	 <p><b>FUEL TANK CONNECTOR</b></p> <table border="1"> <thead> <tr> <th>Sierra #</th> <th>AP #</th> <th>Inlet</th> <th>Replaces:</th> </tr> </thead> <tbody> <tr> <td>18-8071</td> <td>821</td> <td>Small</td> <td>99105-00192</td> </tr> <tr> <td>18-8078</td> <td>883</td> <td>Large</td> <td>65740-95500, 99105-00193</td> </tr> </tbody> </table>	Sierra #	AP #	Inlet	Replaces:	18-8071	821	Small	99105-00192	18-8078	883	Large	65740-95500, 99105-00193	 <p><b>FUEL LINE CONNECTOR</b></p> <table border="1"> <thead> <tr> <th>Sierra #</th> <th>AP #</th> <th>Inlet</th> <th>Replaces:</th> </tr> </thead> <tbody> <tr> <td>18-8062</td> <td>822</td> <td>Small</td> <td>65750-98505</td> </tr> <tr> <td>18-8079</td> <td>—</td> <td>Large</td> <td>65750-95510</td> </tr> </tbody> </table>	Sierra #	AP #	Inlet	Replaces:	18-8062	822	Small	65750-98505	18-8079	—	Large	65750-95510
Sierra #	AP #	Inlet	Replaces:																								
18-8071	821	Small	99105-00192																								
18-8078	883	Large	65740-95500, 99105-00193																								
Sierra #	AP #	Inlet	Replaces:																								
18-8062	822	Small	65750-98505																								
18-8079	—	Large	65750-95510																								

 <p><b>18-8087</b> <b>FUEL TANK CONNECTOR</b> (Metric Thread) Replaces: 65720-94411</p>	 <p><b>18-8090</b> <b>FUEL TANK CONNECTOR</b> (1/4" NPT)</p>	 <p><b>PRIMER BULB ASSEMBLY</b> Comes complete with two hose clamps</p> <table border="1"> <thead> <tr> <th>Sierra #</th> <th>AP #</th> <th>Description</th> </tr> </thead> <tbody> <tr> <td>18-8002</td> <td>—</td> <td>For 1/4" I.D. Hose</td> </tr> <tr> <td>18-8004</td> <td>—</td> <td>For 5/16" I.D. Hose</td> </tr> <tr> <td>18-8005</td> <td>3881</td> <td>For 3/8" I.D. Hose</td> </tr> </tbody> </table> <p>Φ Large Capacity Bulb</p>	Sierra #	AP #	Description	18-8002	—	For 1/4" I.D. Hose	18-8004	—	For 5/16" I.D. Hose	18-8005	3881	For 3/8" I.D. Hose	 <p><b>INLINE FUEL FILTERS</b></p> <table border="1"> <thead> <tr> <th>Sierra #</th> <th>AP#</th> <th>Application:</th> </tr> </thead> <tbody> <tr> <td>18-7828</td> <td>13518</td> <td>1/4" Small Capacity (For 1/4" Fuel Line)</td> </tr> <tr> <td>18-7829</td> <td>600</td> <td>1/4" Large Capacity (For 1/4" Fuel Line)</td> </tr> <tr> <td>18-7830</td> <td>1227</td> <td>5/16"</td> </tr> <tr> <td>18-7831</td> <td>1679</td> <td>3/8"</td> </tr> </tbody> </table>	Sierra #	AP#	Application:	18-7828	13518	1/4" Small Capacity (For 1/4" Fuel Line)	18-7829	600	1/4" Large Capacity (For 1/4" Fuel Line)	18-7830	1227	5/16"	18-7831	1679	3/8"
Sierra #	AP #	Description																												
18-8002	—	For 1/4" I.D. Hose																												
18-8004	—	For 5/16" I.D. Hose																												
18-8005	3881	For 3/8" I.D. Hose																												
Sierra #	AP#	Application:																												
18-7828	13518	1/4" Small Capacity (For 1/4" Fuel Line)																												
18-7829	600	1/4" Large Capacity (For 1/4" Fuel Line)																												
18-7830	1227	5/16"																												
18-7831	1679	3/8"																												

**OUTBOARD**

**Bracket Features...**

**STAINLESS STEEL** Bracket made of marine grade stainless steel for ultimate corrosion protection and durability. Available in 1/4" and 3/8" inlet/outlet versions.  
**ALUMINUM** Bracket 3/8" inlet/outlet for easy installation on high-horsepower boats.

**Filter Features...**

- ★ 28 Micron filter element shaped into 66 pleats. More pleats means more capacity.
- ★ Steel end caps on elements.
- ★ Heavy duty spring.
- ★ Powder coated outside, epoxy coated inside for corrosion protection.
- ★ Meets OEM specifications.
- ★ Will not separate 2 cycle oil from gasoline.
- ★ Do not use with diesel fuel.
- ★ Made in the U.S.A.
- ★ Best flow rate of all major brands
- ★ New attractive retail packaging

**18-7852-1**  
**AP# 6030**  
**FUEL WATER SEPARATOR**  
**FILTER WITH BRACKET**

Replaces: 99105-20001  
Includes:  
18-7845/AP# 6031 Filter - 18-7853-1/AP# 6050 Bracket  
18-4256 1/4" (2) Brass Plug



**NEW**



**18-3023**  
**IMPELLER**  
Replaces: 17461-90J00  
For: 140H.P. (2000-04)


**NEW**




**18-3099**  
**IMPELLER**  
Replaces: 17461-93902  
For: All 9.9/15 H.P., DF & DT (1983-current)



**18-3092**  
**AP# 13151**  
**IMPELLER**  
Replaces: 17461-93001,  
17461-93003



**18-3093**  
**IMPELLER**  
Replaces: 17461-93901,  
17461-93902



**18-3094**  
**AP# 2176**  
**IMPELLER**  
Replaces: 17461-94700



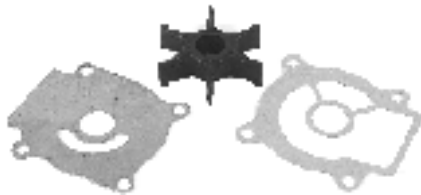
**18-3095**  
**AP# 2177**  
**IMPELLER**  
Replaces: 17461-95300,  
17461-95301



**18-3096**  
**AP# 13153**  
**IMPELLER**  
Replaces: 17461-96301,  
17461-96311



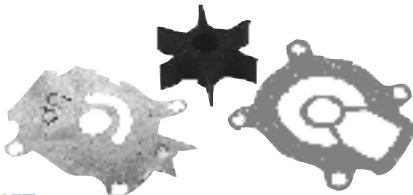
**18-3097**  
**AP# 13154**  
**IMPELLER**  
Replaces: 17461-98501,  
17461-98502



**18-3242**  
**AP# 2878**  
**IMPELLER REPAIR KIT**  
Replaces: 17400-96350,  
17400-96351

— CONTAINS —			
MODEL	YEAR	MODEL	YEAR
DT20	1986-88	DT30C	1988-95
DT25	1984-88	DT35	1987-89
DT30	1984-87	DT40C	1984-95
DT25C	1989-95		


Sierra #	Description	O.E. #
18-3096	Impeller	17461-96311
18-0461	Gasket	17472-96301



**18-3243**  
**AP# 2879**  
**IMPELLER REPAIR KIT**  
Replaces: 17400-94700

— CONTAINS —			
Sierra #	AP #	Description	O.E. #
18-3094	2176	Impeller	17461-94700
18-0460	2876	Gasket	17472-95310

MODEL	YEAR	MODEL	YEAR
DT55	1985-95	DT65	1985-95






**18-3244**  
**AP# 2880**  
**IMPELLER REPAIR KIT**  
Replaces: 17400-95550






— CONTAINS —			
Sierra #	Description	O.E. #	
18-3095	Impeller	17461-95300	
18-0459	Gasket	17472-95200	

MODEL	YEAR	MODEL	YEAR
DT75	1985-95	DT85	1985-95



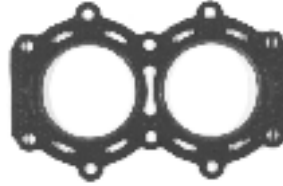

IMPELLER APPLICATION ON NEXT PAGE




**OUTBOARD**

 <p><b>18-7884</b> <b>OIL FILTER</b> Replaces: 16510-87J00 FOR: DF140</p>	 <p><b>18-7903</b> <b>OIL FILTER</b> Replaces: 16510-05240 FOR: DF9.9, DF15</p>	 <p><b>18-7915</b> <b>OIL FILTER</b> Replaces: 16510-87J00, 16510-82703 For: DF25, DF30, DF40, DF50, DF60, DF70 4-stroke</p>	 <p><b>18-8343</b> <b>SEAL RING GASKET</b> Replaces: 55122-95201</p>
--	--	---	---

 <p><b>18-0458</b> <b>AP# 13005</b> <b>WATER PUMP GASKET</b> Replaces: 17472-94510</p>	 <p><b>18-0459</b> <b>WATER PUMP GASKET</b> Replaces: 17472-95200</p>	 <p><b>18-0460</b> <b>AP# 2876</b> <b>WATER PUMP GASKET</b> Replaces: 17472-95310</p>	 <p><b>18-0461</b> <b>AP# 2868</b> <b>WATER PUMP GASKET</b> Replaces: 17472-96301</p>	 <p><b>18-8331</b> <b>DRAIN PLUG GASKET</b> Replaces: 09168-10022</p>
---	--	---	--	--

HP/Model	Year	Sierra Impeller	Sierra Gasket	HP/Model	Year	Sierra Impeller	Sierra Gasket
DT5	1977-83	18-3097	—	DT35	1987-89	18-3096	18-0461
DT6	1984-98	18-3097	—	DT40	1980-83	18-3094	18-0459
DT8	1980-87	18-3097	—	DT40/DT40C	1984-98	18-3096	18-0461
DT9.9	1977-82	18-3092	—	PU40 (jet)	1989-94	18-3096	18-0461
DT9.9	1983-87	18-3093	—	DT50	1982-prior	18-3094	18-0459
DF9.9	1997-98	18-3093	—	DT50	1983	18-3094	18-0460
DT14	1977-80	18-3092	—	DT50	1984	18-3095	18-0460
DT15	1983-88	18-3093	—	DT50M	1980-84	18-3094	18-0460
DT15C	1989-97	18-3093	—	DT55	1985-97	18-3094	18-0460
DF15	1997-98	18-3093	—	PU55 (jet)	1989-94	18-3094	18-0460
DT16	1977-82	18-3092	—	DT60	1983	18-3094	18-0460
DT20	1986-88	18-3096	18-0461	DT60	1984	18-3096	18-0460
DT25	1980-82	18-3092	—	DT65	1982-prior	18-3094	18-0459
DT25	1983-88	18-3096	18-0461	DT65	1985-97	18-3096	18-0460
DT30	1983-87	18-3096	18-0461	DT75	1983-97	18-3095	18-0459
DT35	1980-82	18-3094	18-0459	DT85	1980-97	18-3095	18-0459
				PU85 (jet)	1989-97	18-3095	18-0459

 <p><b>18-3806</b> <b>HEAD GASKET</b> Replaces: 11141-98401</p>	 <p><b>18-3807</b> <b>AP# 13216</b> <b>HEAD GASKET</b> Replaces: 11141-98101</p>	 <p><b>18-3808</b> <b>AP# 13217</b> <b>HEAD GASKET</b> Replaces: 11141-93901</p>	 <p><b>18-3809</b> <b>AP# 13218</b> <b>HEAD GASKET</b> Replaces: 11141-96303</p>
--	---	--	---

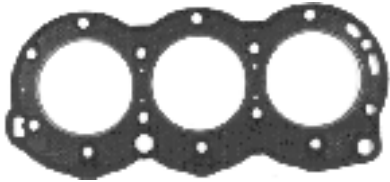


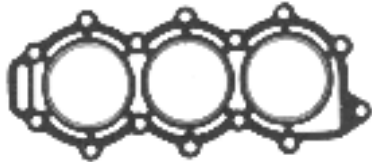


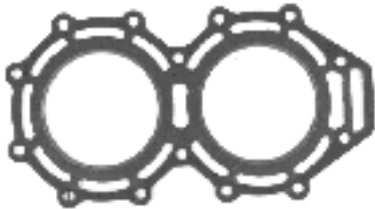
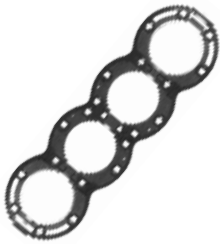
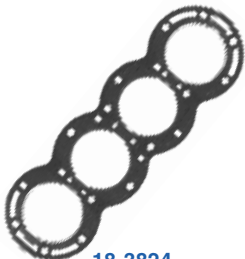

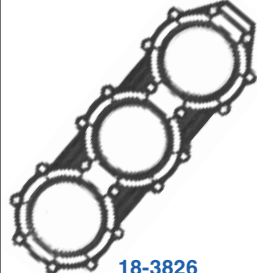
 <p><b>18-3810</b> <b>AP# 13219</b> <b>HEAD GASKET</b> Replaces: 11141-94401</p>	 <p><b>18-3811</b> <b>AP# 13220</b> <b>HEAD GASKET</b> Replaces: 11141-94303</p>	 <p><b>18-3813</b> <b>AP# 13222</b> <b>HEAD GASKET</b> Replaces: 11141-95305</p>
---	--	---

**OUTBOARD**

# SUZUKI

## Head Gaskets/Drive System



 <p><b>18-3814</b> AP# 13223 <b>HEAD GASKET</b> Replaces: 11141-95505</p>				 <p><b>18-3816</b> AP# 13225 <b>HEAD GASKET</b> Replaces: 11141-98504</p>							
 <p><b>18-3817</b> AP# 13226 <b>HEAD GASKET</b> Replaces: 11141-92D01</p>				 <p><b>18-3819</b> AP# 13228 <b>HEAD GASKET</b> Replaces: 11141-95D90</p>							
 <p><b>18-3820</b> <b>HEAD GASKET</b> Replaces: 11141-94701</p>		 <p><b>18-3821</b> <b>HEAD GASKET</b> Replaces: 11141-95600</p>		 <p><b>18-3822</b> <b>HEAD GASKET</b> Replaces: 11141-87E90</p>							
 <p><b>18-3823</b> <b>HEAD GASKET</b> Replaces: 11141-94506</p>	 <p><b>18-3824</b> <b>HEAD GASKET</b> Replaces: 11141-94600</p>	 <p><b>18-3825</b> <b>HEAD GASKET</b> Replaces: 11141-87D90</p>	 <p><b>18-3826</b> <b>HEAD GASKET</b> Replaces: 11141-87D92</p>								
Model	Year	Cyl	Head Gasket	Model	Year	Cyl	Head Gasket	Model	Year	Cyl	Head Gasket
2	1983-89	1	18-3806	30	1988-89	3	18-3819	90	1989	V-4	18-3822
5	1983	2	18-3816	35	1987-89	2	18-3810	100	1989	V-4	18-3822
6	1984-89	2	18-3807	40	1983	2	18-3811	115	1983-85	4	18-3823
8	1983-87	2	18-3807	40	1984-89	2	18-3810	115	1986-89	4	18-3824
8	1988-89	2	18-3817	50	1984	2	18-3813	140	1983-85	4	18-3823
9.9	1983-87	2	18-3808	55	1985-89	3	18-3820	140	1986-89	4	18-3824
9.9	1988-89	2	18-3817	65	1985-89	3	18-3820	150	1986	V-6	18-3825
15	1983-89	2	18-3808	75	1983-87	3	18-3814	150	1987-89	V-6	18-3826
25	1983-88	2	18-3809	75	1988-89	3	18-3821	175	1987-89	V-6	18-3826
25	1989	3	18-3819	85	1983-87	3	18-3814	200	1986	V-6	18-3825
30	1983-87	2	18-3809	85	1988-89	3	18-3821	200	1987-89	V-6	18-3826

OUTBOARD

 <p><b>18-8334</b> <b>SHIFT SHAFT SEAL</b> Replaces: 25223-94400</p>	 <p><b>18-3726</b> <b>AP# 1830</b> <b>PROP NUT</b> Replaces: 09141-18005</p>	 <p><b>18-3710</b> <b>PROP NUT</b> Replaces: 09141-14008</p>																																																								
 <p><b>SPACER</b></p> <table border="1" style="width:100%; border-collapse: collapse;"> <thead> <tr> <th>Model</th> <th>Sierra#</th> <th>O.E.#</th> </tr> </thead> <tbody> <tr> <td>DT40/55/65</td> <td>18-3794</td> <td>57633-94300</td> </tr> <tr> <td>V-6</td> <td>18-3795</td> <td>57633-87D30</td> </tr> <tr> <td>DT75/85/90/100/115/ 140 w. V style/ DF60/70 w. V style</td> <td>18-3798</td> <td>57633-94500</td> </tr> <tr> <td>DT20/25C/30C</td> <td>18-3799</td> <td>57630-96300</td> </tr> </tbody> </table>	Model	Sierra#	O.E.#	DT40/55/65	18-3794	57633-94300	V-6	18-3795	57633-87D30	DT75/85/90/100/115/ 140 w. V style/ DF60/70 w. V style	18-3798	57633-94500	DT20/25C/30C	18-3799	57630-96300	 <p><b>18-3774</b> <b>PROP NUT KIT</b> Replaces: 57630-94500 For: DT75/85/90/100/115, 140 with V-Style, DF60/70 with V Style — CONTAINS —</p> <table border="1" style="width:100%; border-collapse: collapse;"> <thead> <tr> <th>Sierra #</th> <th>O.E. #</th> <th>Desc.</th> </tr> </thead> <tbody> <tr> <td>18-3726</td> <td>09141-18005</td> <td>Prop Nut</td> </tr> <tr> <td>18-3735</td> <td>09204-03003, 09204-03004</td> <td>Cotter Pin</td> </tr> <tr> <td>—</td> <td>09160-18028</td> <td>Washer</td> </tr> <tr> <td>18-3798</td> <td>57633-94500</td> <td>Spacer</td> </tr> </tbody> </table>	Sierra #	O.E. #	Desc.	18-3726	09141-18005	Prop Nut	18-3735	09204-03003, 09204-03004	Cotter Pin	—	09160-18028	Washer	18-3798	57633-94500	Spacer																											
Model	Sierra#	O.E.#																																																								
DT40/55/65	18-3794	57633-94300																																																								
V-6	18-3795	57633-87D30																																																								
DT75/85/90/100/115/ 140 w. V style/ DF60/70 w. V style	18-3798	57633-94500																																																								
DT20/25C/30C	18-3799	57630-96300																																																								
Sierra #	O.E. #	Desc.																																																								
18-3726	09141-18005	Prop Nut																																																								
18-3735	09204-03003, 09204-03004	Cotter Pin																																																								
—	09160-18028	Washer																																																								
18-3798	57633-94500	Spacer																																																								
 <p><b>18-3775</b> <b>PROP NUT KIT</b> Replaces: 57630-92E00 For: V-6 — CONTAINS —</p> <table border="1" style="width:100%; border-collapse: collapse;"> <thead> <tr> <th>Sierra #</th> <th>AP #</th> <th>O.E. #</th> <th>Description</th> </tr> </thead> <tbody> <tr> <td>18-3726</td> <td>1830</td> <td>09141-18005</td> <td>Prop Nut</td> </tr> <tr> <td>18-3735</td> <td>1832</td> <td>09204-03003, 09204-03004</td> <td>Cotter Pin</td> </tr> <tr> <td>—</td> <td>—</td> <td>09160-18019</td> <td>Washer</td> </tr> <tr> <td>18-3795</td> <td>—</td> <td>57633-87D30</td> <td>Spacer</td> </tr> </tbody> </table>	Sierra #	AP #	O.E. #	Description	18-3726	1830	09141-18005	Prop Nut	18-3735	1832	09204-03003, 09204-03004	Cotter Pin	—	—	09160-18019	Washer	18-3795	—	57633-87D30	Spacer	 <p><b>18-3777</b> <b>PROP NUT KIT</b> Replaces: 57630-94300 For: DT40/55/65 — CONTAINS —</p> <table border="1" style="width:100%; border-collapse: collapse;"> <thead> <tr> <th>Sierra #</th> <th>AP #</th> <th>O.E. #</th> <th>Description</th> </tr> </thead> <tbody> <tr> <td>18-3726</td> <td>1830</td> <td>09141-18005</td> <td>Prop Nut</td> </tr> <tr> <td>18-3735</td> <td>1832</td> <td>09204-03003, 09204-03004</td> <td>Cotter Pin</td> </tr> <tr> <td>—</td> <td>—</td> <td>09160-18028</td> <td>Washer</td> </tr> </tbody> </table>	Sierra #	AP #	O.E. #	Description	18-3726	1830	09141-18005	Prop Nut	18-3735	1832	09204-03003, 09204-03004	Cotter Pin	—	—	09160-18028	Washer	 <p><b>18-3778</b> <b>PROP NUT KIT</b> Replaces: 57630-96300 For: DT20/25C/30C — CONTAINS —</p> <table border="1" style="width:100%; border-collapse: collapse;"> <thead> <tr> <th>Sierra #</th> <th>AP #</th> <th>O.E. #</th> <th>Description</th> </tr> </thead> <tbody> <tr> <td>18-3735</td> <td>1832</td> <td>09204-03003, 09204-03004</td> <td>Cotter Pin</td> </tr> <tr> <td>—</td> <td>—</td> <td>09160-14028</td> <td>Washer</td> </tr> <tr> <td>18-3710</td> <td>—</td> <td>09141-14008</td> <td>Prop Nut</td> </tr> <tr> <td>18-3799</td> <td>—</td> <td>57633-96300</td> <td>Spacer</td> </tr> </tbody> </table>	Sierra #	AP #	O.E. #	Description	18-3735	1832	09204-03003, 09204-03004	Cotter Pin	—	—	09160-14028	Washer	18-3710	—	09141-14008	Prop Nut	18-3799	—	57633-96300	Spacer
Sierra #	AP #	O.E. #	Description																																																							
18-3726	1830	09141-18005	Prop Nut																																																							
18-3735	1832	09204-03003, 09204-03004	Cotter Pin																																																							
—	—	09160-18019	Washer																																																							
18-3795	—	57633-87D30	Spacer																																																							
Sierra #	AP #	O.E. #	Description																																																							
18-3726	1830	09141-18005	Prop Nut																																																							
18-3735	1832	09204-03003, 09204-03004	Cotter Pin																																																							
—	—	09160-18028	Washer																																																							
Sierra #	AP #	O.E. #	Description																																																							
18-3735	1832	09204-03003, 09204-03004	Cotter Pin																																																							
—	—	09160-14028	Washer																																																							
18-3710	—	09141-14008	Prop Nut																																																							
18-3799	—	57633-96300	Spacer																																																							
 <p><b>18-6032</b> <b>ANODE</b> Replaces: 55320-95310 55-140 H.P.</p>	 <p><b>18-6033</b> <b>TRIM TAB</b> Replaces: 55125-87D00 150-200 H.P.</p>	 <p><b>18-6098</b> <b>AP# 13417</b> <b>TRIM TAB</b> Replaces: 55125-96310</p>	 <p><b>COTTER PINS</b></p> <table border="1" style="width:100%; border-collapse: collapse;"> <thead> <tr> <th>Sierra #</th> <th>AP #</th> <th>Replaces</th> </tr> </thead> <tbody> <tr> <td>18-3737</td> <td>—</td> <td>29204-09204 For: DT9.9 &amp; 15C, DF9.9 &amp; 15, 8 &amp; 9.9C (Oil Injected)</td> </tr> <tr> <td>18-3738</td> <td>1832</td> <td>09204-03003, 09204-03004 For: DT20, 25C, 30C</td> </tr> </tbody> </table>	Sierra #	AP #	Replaces	18-3737	—	29204-09204 For: DT9.9 & 15C, DF9.9 & 15, 8 & 9.9C (Oil Injected)	18-3738	1832	09204-03003, 09204-03004 For: DT20, 25C, 30C																																														
Sierra #	AP #	Replaces																																																								
18-3737	—	29204-09204 For: DT9.9 & 15C, DF9.9 & 15, 8 & 9.9C (Oil Injected)																																																								
18-3738	1832	09204-03003, 09204-03004 For: DT20, 25C, 30C																																																								


**OUTBOARD**



**Features...**

- ★ Seals and o-rings designed to provide excellent performance in the harsh marine environment.
- ★ Kits include all necessary parts to do a complete reseal.
- ★ Easy quick reference application chart in our catalog.

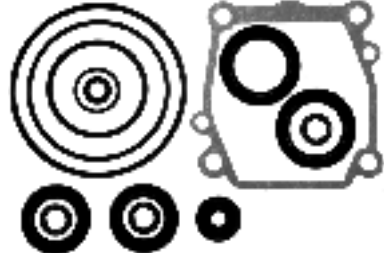
**OUTBOARD**



**18-8335**  
**AP# 13546**  
**LOWER UNIT SEAL KIT**  
Replaces: 25700-87D00

— CONTAINS —

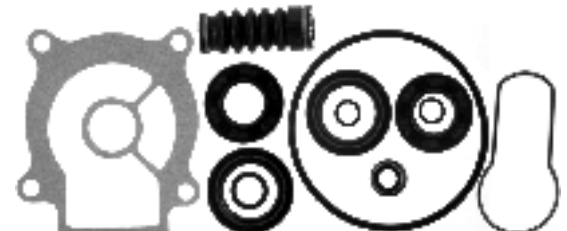
Sierra#	Description	O.E.#	Qty.
18-0456	Water Pump Gasket	17472-87D10	1
18-7118	O-Ring	09280-08008	1
18-7183	O-Ring	09280-69001	2
18-7325	Seal	09282-30006	1
18-7422	O-Ring	09280-20004	1
18-8322	Seal	09282-24004	1
18-8331	Drain Plug Gasket	09168-10022	2



**18-8336**  
**AP# 13547**  
**LOWER UNIT SEAL KIT**  
Replaces: 25700-87E00

— CONTAINS —

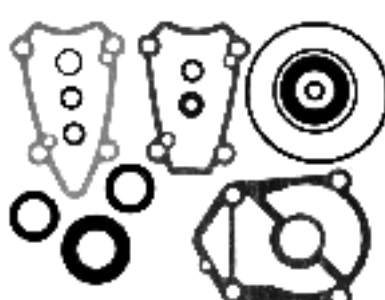
Sierra#	Description	O.E.#	Qty.
18-0457	Water Pump Gasket	17472-87E10	1
18-7118	O-Ring	09280-08008	1
18-7127	O-Ring	09280-86001	1
18-7183	O-Ring	09280-69001	1
18-7422	O-Ring	09280-20004	1
18-8320	Seal	09282-22004	2
18-8324	Seal	09282-28003	2
18-8331	Drain Plug Gasket	09168-10022	3



**18-8337**  
**AP# 13548**  
**LOWER UNIT SEAL KIT**  
Replaces: 25700-94400

— CONTAINS —

Sierra#	Description	O.E.#	Qty.
18-0461	Water Pump Gasket	17472-96301	1
18-7151	O-Ring	09280-75001	1
18-7413	O-Ring	09280-08005	2
18-8331	Drain Plug Gasket	09168-10022	3
18-8334	Shift Shaft Seal	25223-94400	1
18-8342	Seal Ring	55122-94400	1
18-8345	Seal	09289-22007	2



**18-8338**  
**AP# 13549**  
**LOWER UNIT SEAL KIT**  
Replaces: 25700-94500


— CONTAINS —

Sierra#	Description	O.E.#	Qty.
18-0268	O-Ring	09280-55002	1
18-0458	Water Pump Gasket	17472-94510	1
18-0629	Gasket	25142-94520	1
18-0630	Gasket	25142-94560	1
18-7118	O-Ring	09280-08008	1
18-7191	O-Ring	09280-15003	1
18-8321	Seal	09282-24003	2
18-8323	Seal	09282-28002	2
18-8331	Drain Plug Gasket	09168-10022	3

SEAL KIT APPLICATION ON NEXT PAGE

— CONTAINS —


Sierra#	Description	O.E.#	Qty.
18-0460	Water Pump Gasket	17472-95310	1
18-7151	O-Ring	09280-76006	1
18-7413	O-Ring	09280-08005	1
18-8329	Seal	09289-17005	1
18-8331	Drain Plug Gasket	09168-10022	3
18-8334	Shift Shaft Seal	25223-94400	1
18-8343	Seal Ring	55122-95201	1
18-8345	Seal	09289-22007	2



**18-8339**  
**LOWER UNIT SEAL KIT**  
Replaces: 25700-94700

— CONTAINS —


Sierra#	Description	O.E.#	Qty.
18-0459	Water Pump Gasket	17472-95200	1
18-7506	O-Ring	09280-85001	1
18-8318	Seal	09282-20007	2
18-8319	Seal	09282-20008	2
18-8323	Seal	09282-28002	2
18-8331	Drain Plug Gasket	09168-10022	3
18-8334	Shift Shaft Seal	25223-94400	1
18-8344	Seal Ring	55122-95500	1



**18-8340**  
**LOWER UNIT SEAL KIT**  
Replaces: 25700-95500

— CONTAINS —

Sierra#	Description	O.E.#	Qty.
18-0461	Water Pump Gasket	17472-96301	1
18-7118	O-Ring	09280-50005	1
18-7413	O-Ring	09280-08005	1
18-7505	O-Ring	09280-75002	1
18-7140	Seal	09282-17006	2
18-8317	Seal	09282-17007	2
18-8330	Seal	09289-20009	2
18-8331	Drain Plug Gasket	09168-10022	3



**18-8341**  
**LOWER UNIT SEAL KIT**  
Replaces: 25700-95D00

HP/Model	Year	Sierra#	AP #	HP/Model	Year	Sierra#	AP #	HP/Model	Year	Sierra#	AP #
DT25C	1989-98	18-8341	—	DT55	1985-97	18-8339	—	DT85	1985-98	18-8340	—
DT30C	1988-97	18-8341	—	DT65	1985-97	18-8339	—	DT90	1989-97	18-8336	13547
DT40C	1984-98	18-8337	13548	DT75	1985-97	18-8340	—	DT100	1989-98	18-8336	13547


PKG. OF 2



**OIL SEALS**

Part#	O.E.#	I.D.	Dimensions O.D. (mm)	Width
<b>18-8316</b>	09282-17006	17	30	4.5
<b>18-8317</b>	09282-17007	17	28	6
<b>18-8320</b>	09282-22004	22	36	6
<b>18-8321</b>	09282-24003	25	36	6
<b>18-8323</b>	09282-28002	28	50	6
<b>18-8329</b>	09289-17005	15.85	35.10	9
<b>18-8330</b>	09289-20009	19.447	34	6.5
<b>18-8345</b>	09289-22007	22.2	35	5

PKG. OF 5



**O-RINGS**

Part No.	O.E. No.	I. D.	Dimensions Width (mm)
<b>18-7118</b>	09280-08008	69.40	3.10
<b>18-7140</b>	09280-75002	69.00	3.50

**OUTBOARD**